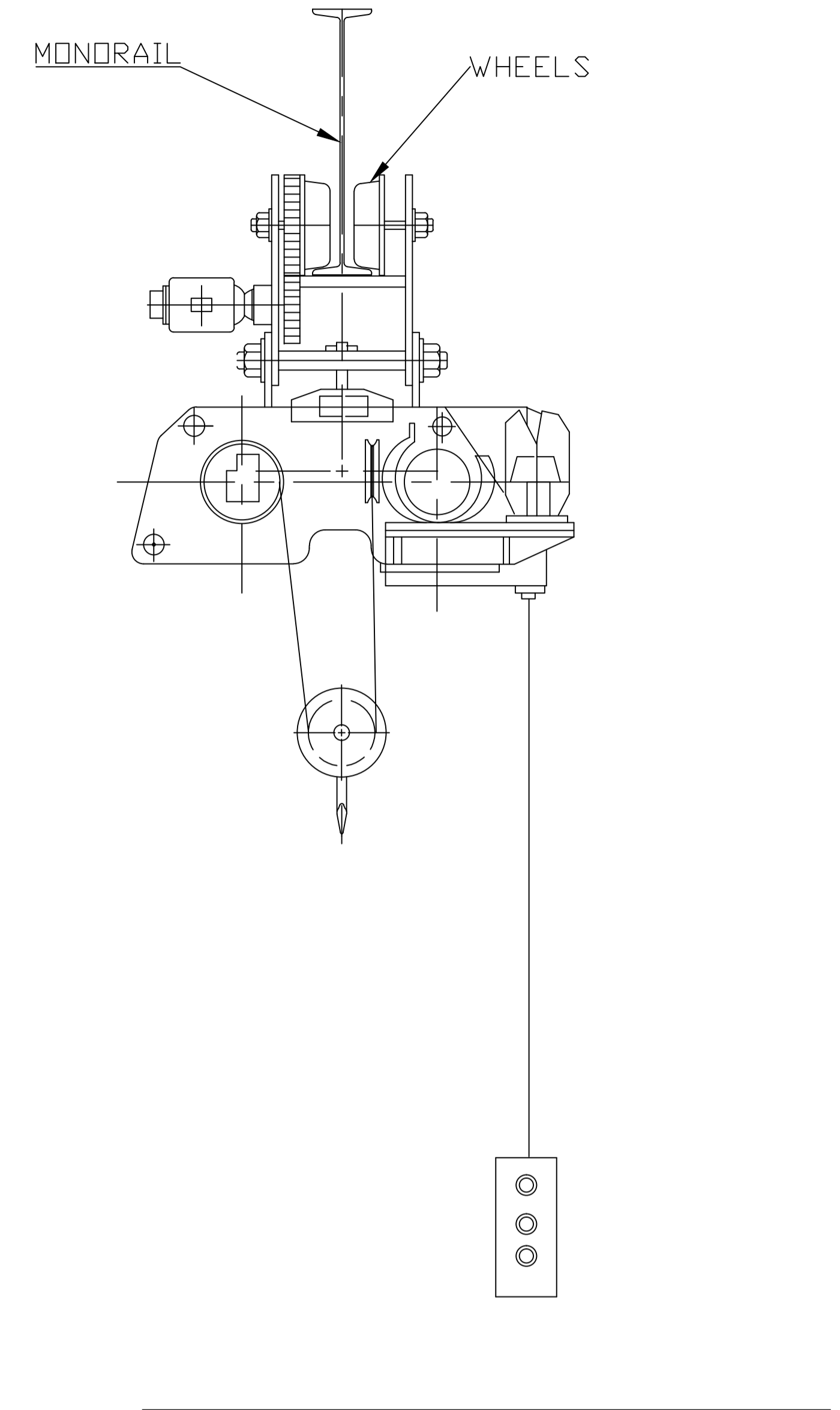


FRONT VIEW



SIDE VIEW

DESIGN PARAMETERS OF 2T ELECTRIC WIRE ROPE HOIST

CAPACITY (t)	DUTY CLASS	TOTAL HEIGHT OF LIFT (m)	SPEED (m/min.)		MECHANISM			NOS. OF ROPE FALL	NOS. OF TRAVEL WHEEL	MINIMUM TRACK BEAM SIZE ISMB	POWER SUPPLY	CONTROL VOLTAGE	POWER SUPPLY ARRANGEMENT	AMBIENT TEMP.(°C)	TYPE OF HOOK	LENGTH OF TRAVEL(m)
			HOIST	TRAVEL	DUTY CYCLE (%)		ACCN.(cm/sec <sup>2</sup> )									
					HOIST	TRAVEL										
2	II	20	8	20	40	40	10	4	4	300	415V±10%,3ø 50HZ+3%-6% AC	110V1ø 50HZ AC	THROUGH FLEXIBLE FESTOON CABLE SYSTEM	50°	SINGLE SHANK SWIVELLING	25